

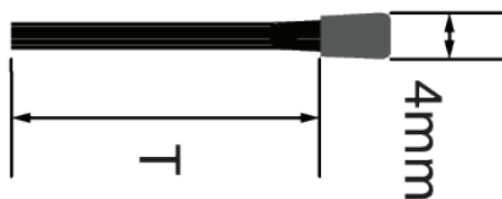
## Brush Strip Lengths



### Specifications

<b>Part Number:</b>	TBA
<b>Description:</b>	Brush Strip Lengths
<b>Brush Strip Sizes (T):</b>	13mm, 19mm, 25mm, 38mm, 50mm, 75mm, 100mm, Custom (MOQ)
<b>Brush Strip Lengths:</b>	1m, 1.5m, 2m, 3m & cut to size to accommodate size (with bolt cutters)
<b>Brush Strip Colour:</b>	Black (custom upon request)
<b>Weight Load:</b>	N/A
<b>Remark:</b>	Slides into aluminium extrusion
<b>Application:</b>	To aid in closing up a hole whether it be for power cables, data cables, cable basket, fibre duct, containment and pipes  Used in wall, ceiling and floor applications

### Diagram



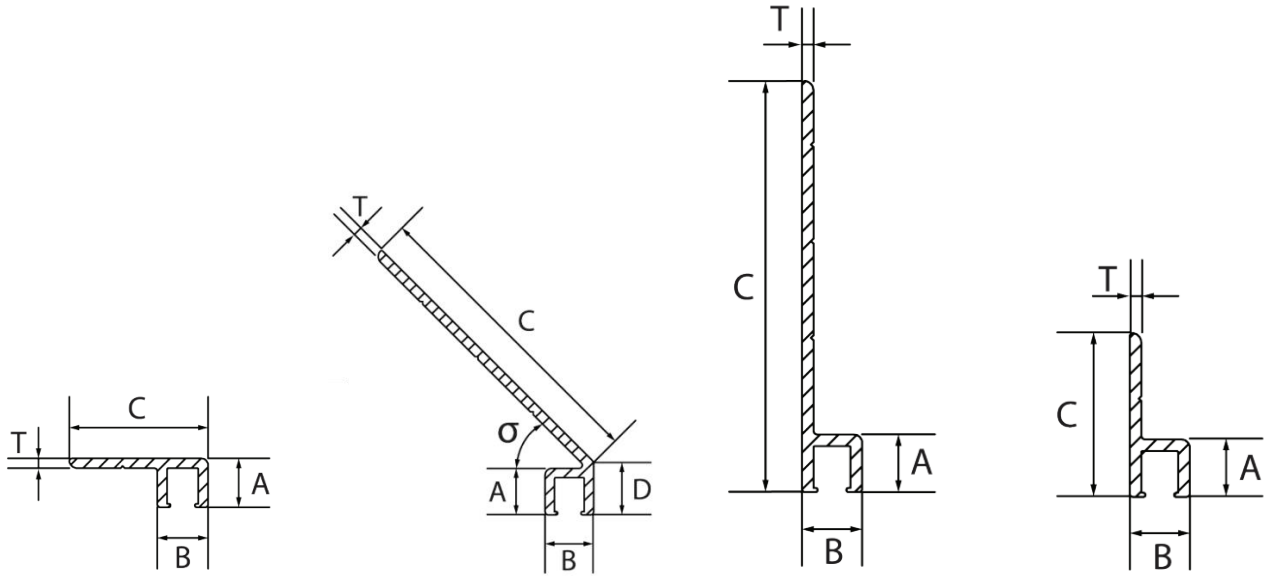
## Extrusions



## Specifications

<b>Part Number:</b>	TBA
<b>Description:</b>	Aluminium Extrusion Lengths
<b>Extrusion Strip Lengths:</b>	1m, 1.5m, 2m, 3m & cut to size to accommodate size
<b>Extrusion Profiles:</b>	F, 45 degree, Straight, Straight Long
<b>Colour:</b>	Silver (other colours we can powder coat as an additional cost)
<b>Weight Load:</b>	N/A
<b>Application:</b>	Brush Strip Length Holder for various angles

# Diagrams



	45 Degree Track		Straight Long Track		Straight Track	
Track Type	A	B	C	D	T	Degree
F Track	6.70mm	6.70mm	20.00mm		1.20mm	
45 Degree Track	7.00mm	7.20mm	45.00mm	8.0mm	1.40mm	45
Straight L Track	6.70mm	7.20mm	50.00mm		1.40mm	
Straight Track	6.70mm	6.70mm	20.00mm		1.20mm	